

Part No. AS5418-U-1600-150-D



Type EI54/18

Power 16.0VA

Weight 440g

shipping unit per box: 10 PCS

temperature class: ta 70°C/B

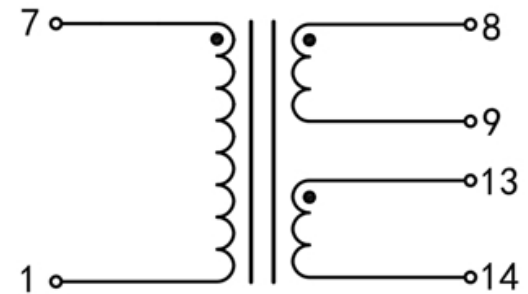
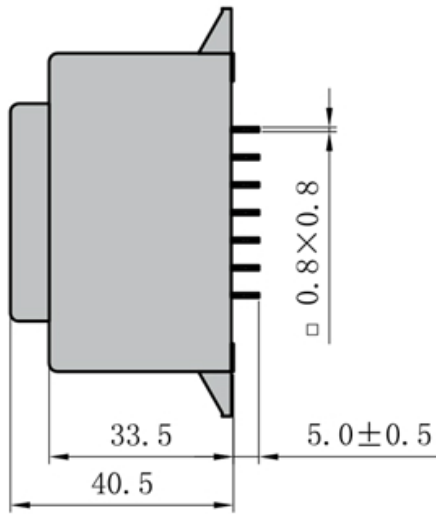
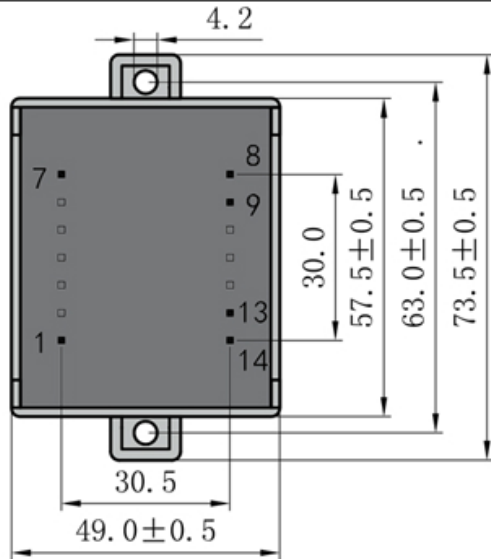
Vacuum filled casting

Split bobbin design winding

Dielectric strength 4500Vrms

| PART NO | Output ta 70°C/B | Prim.V | Connecting pins | Operating point sec. ± 10% | Connecting pins | No-load voltage V ± 10% |
|---------------------|------------------|--------|-----------------|-------------------------------|-----------------|----------------------------|
| AS5418-U-1600-150-D | 16.0W | 115 | 1--7 | 15V 533.3mA | 8--9 | 18.8V |
| | | | | 15V 533.3mA | 13--14 | 18.8V |

According to



Dimensions with no indication of tolerances: ± 0.3mm
Custom-made transformer also will be welcome.



ADD: 699 Fangzhou Road Xiongzhou Town Luhe District 211500 Nanjing City Jiangsu China

TEL: +86 25 57120866 / 57120966 - 8001

FAX: +86 25 57118989

E-mail: asn@asn.cn / asn@asntransformer.com

http://www.asntransformer.com